



The Right Connection®

API Drop Adapters

Application

- For offloading petroleum cargo tanks through the API adapter to 3" or 4" drop hoses

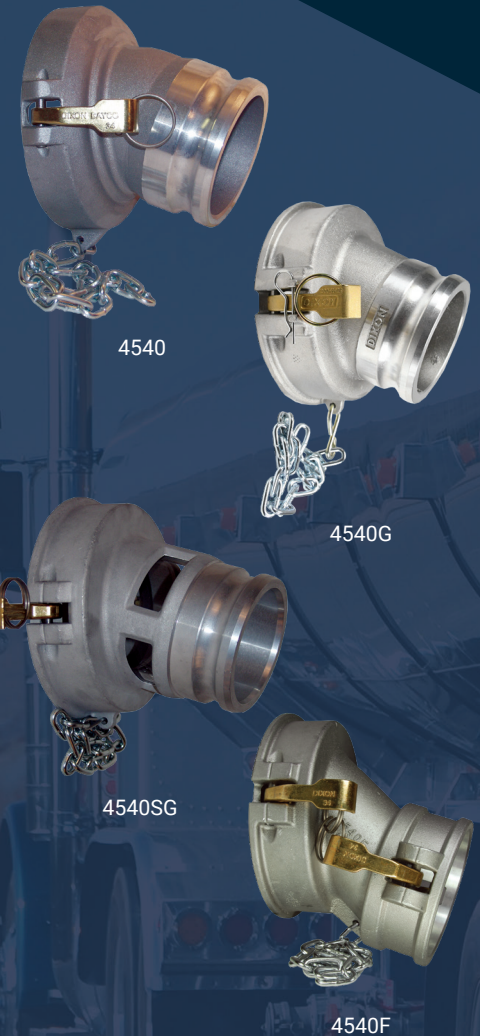
Feature

- Compatible with most API adapters

Specification

- Maximum operating pressure: **75 PSI**

Description	Fuel Compatibility	Part #
API to 3" drop adapter, Baylast™ O-ring seal	Gasoline and diesel, up to E100 and B100 biofuels	4530
API to 3" drop adapter, no sight glass, nitrile rubber flat gasket		4530G
API to 3" drop adapter, nitrile rubber flat gasket, with in-line sight glass		4530SG
API to 4" drop adapter, Baylast O-ring seal	Gasoline and diesel, up to B100 bio diesel	4540
API to 4" drop adapter, FKM O-ring seal		4540V
API to 4" drop adapter, no sight glass, nitrile rubber flat gasket		4540G
API to 4" drop adapter, nitrile rubber flat gasket, one piece, with inline sight glass		4540SG
API to 4" drop adapter, FKM flat gasket, inline sight glass	Gasoline and diesel, up to B100 bio diesel	4540SGV
API to 4" drop coupler, nitrile rubber gasket		4540F
TTMA to 4" drop adapter, Baylast seals, with sight glass	Gasoline and diesel, up to E100 and B100 biofuels	4502
API to 4" drop adapter, Baylast O-ring with sight glass, two-piece design		4502ASSM
API to 4" drop coupler, Baylast gasket with sight glass, two-piece design		4504ASSM



Dixon Bayco

7280 Union Centre Blvd
 West Chester, Ohio 45014
 ph: 513.874.8499
 ph: 513.874.8399
dixonvalve.com

NOTE: Dixon® offers both O-ring and flat gasket styles.

