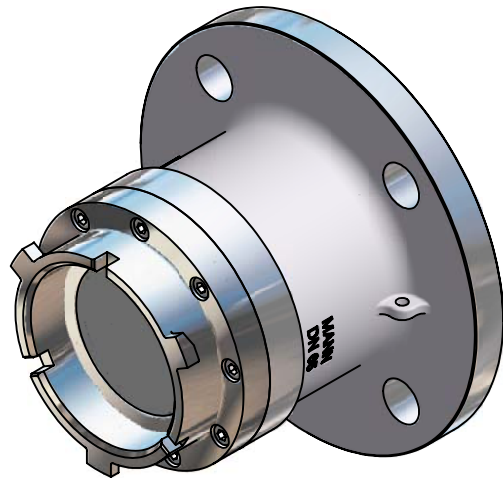
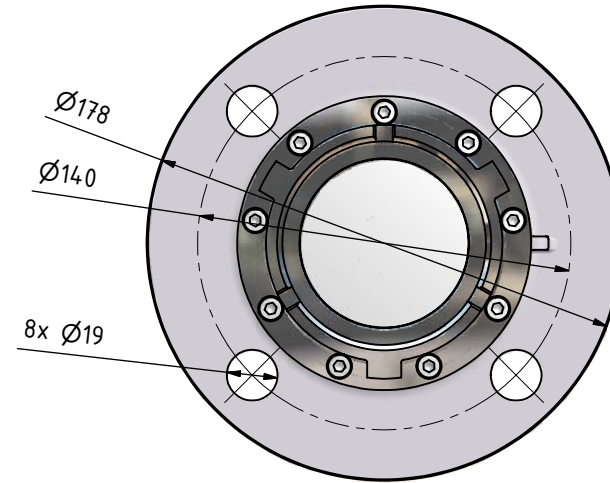
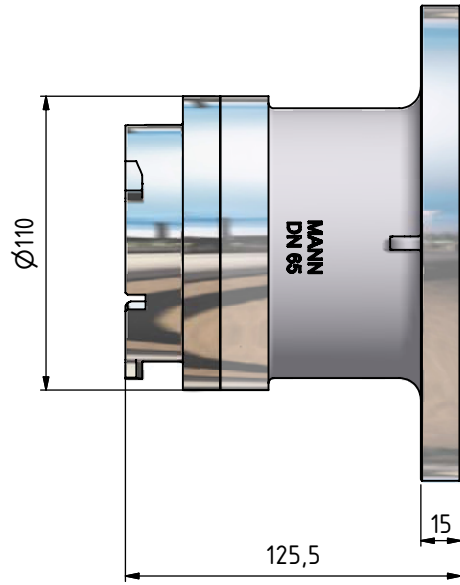



Notice: This drawing contains proprietary information and shall not be used or reproduced or its contents disclosed in whole or in part, without the prior written consent of the Mann Technik AB



Dimensions are in metric.

Detail No:		Material		Ytbeh./Treatment	
		Designed/drawn by A.Eskilsson		Scale: 1:2	
		Checked M.Bäckström		Date 2004-03-26	
		Approved T.Mann			
Tank unit 2 1/2" - ISO 45 Flange 2 1/2" ANSI 150 PSI				Data nr./Comp No. G359D1401	Blad/Sheet 1 / 1
				Drawing No. G359D1401-1	Rev.

NO.	Revision comprises	Date	Sign.	Appr by
-----	--------------------	------	-------	---------