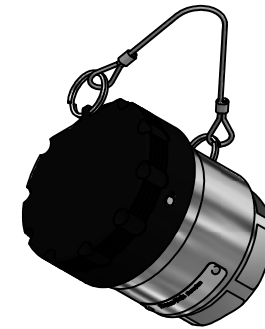
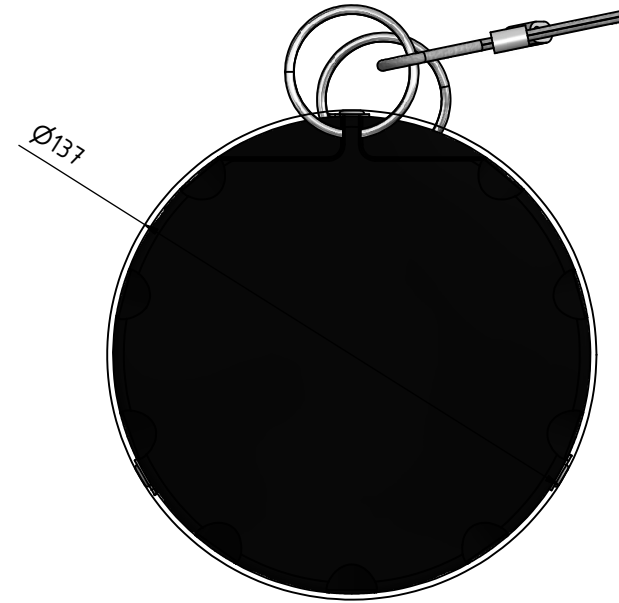
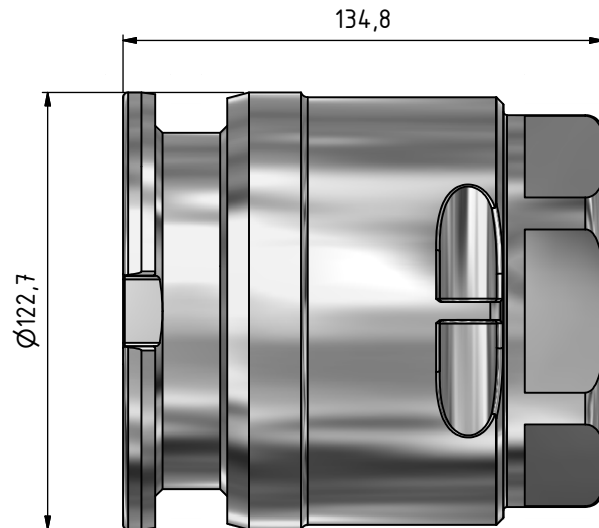
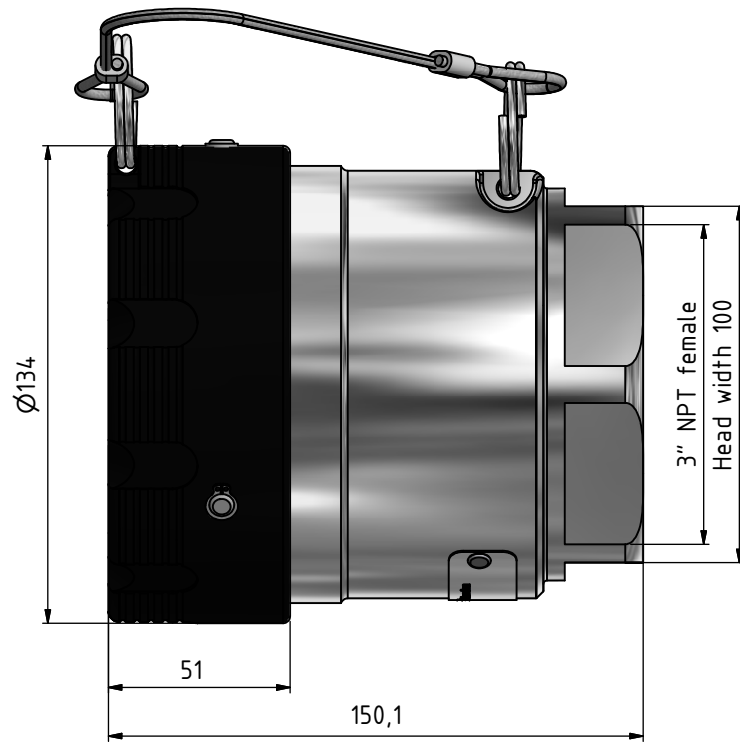


Notice: This drawing contains proprietary information and shall not be used or reproduced or its contents disclosed in whole or in part, without the prior written consent of the Mann Technik AB



Dimensions are in metric.

4,6 kg

Detail No:	Material	Ämne/Blank	Ytbeh./Treatment	Vikt/Weight
	Designed/drawn by G. Li	Scale: 1:2	Dimension with no tolerances acc to	
	Checked G. Kopplin		Date 2013-04-04	Machined SS-ISO 2768-1 medium
	Approved T. Mann		Surface roughness SS-ISO 1302	Form & position tol SS-ISO 2768-2-K
Tank unit 3" DCC with cap Thread 3" NPT female			Data nr./Comp No. LC4A_smsf	Blad/Sheet 1 / 1
			Drawing No.	Rev.
			LC415A44_1	

NO.	Revision comprises	Date	Sign.	Appr by
-----	--------------------	------	-------	---------