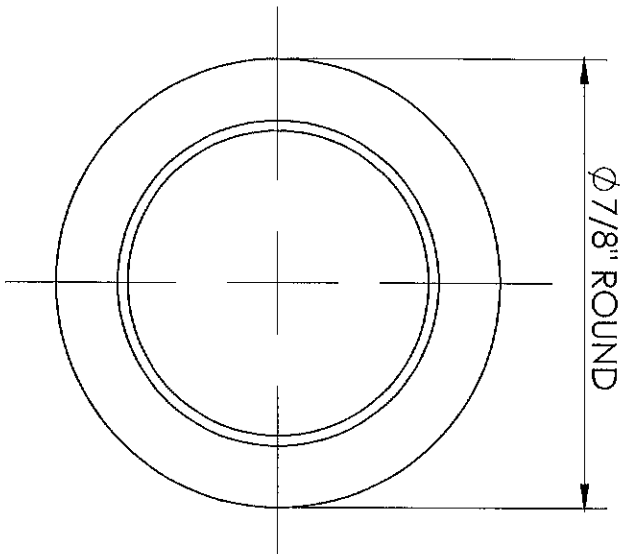
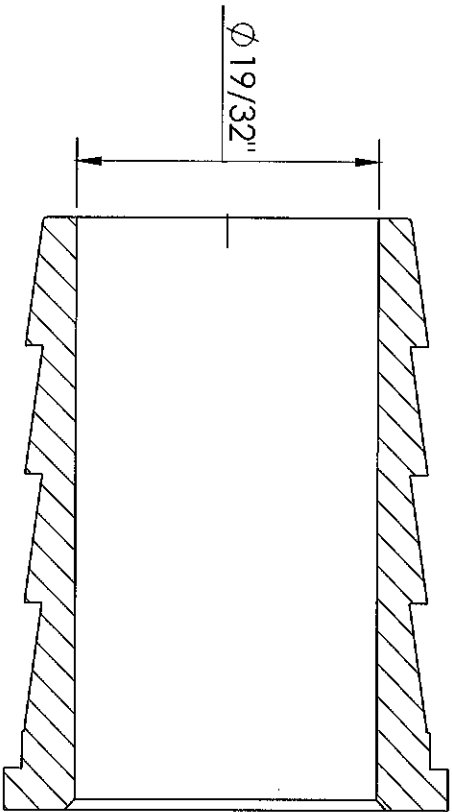
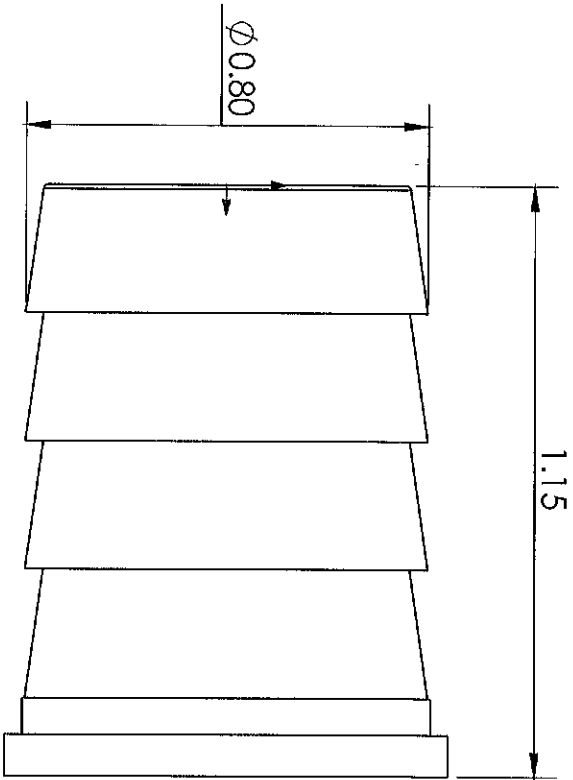


LINE DRAWING NOT FOR PRODUCTION PURPOSES



MATERIAL 7/8" ROUND ALLOY 360 BRASS

This drawing is owned by Dixon Valve & Coupling Co. and shall be returned upon demand. It is loaned on condition that it shall not be copied or reproduced or substituted for any other drawing or specification without the express consent of Dixon Valve & Coupling Co. In the event of any such use without the express consent of Dixon Valve & Coupling Co., the recipient further agrees that this drawing and all information contained herein shall not be used in any way detrimental to or in competition with the owner. If the recipient does not agree to the terms of this agreement they shall return this drawing immediately. The information contained in this drawing is subject to change without notice.



**Dixon Brass**  
Westmont, Illinois USA

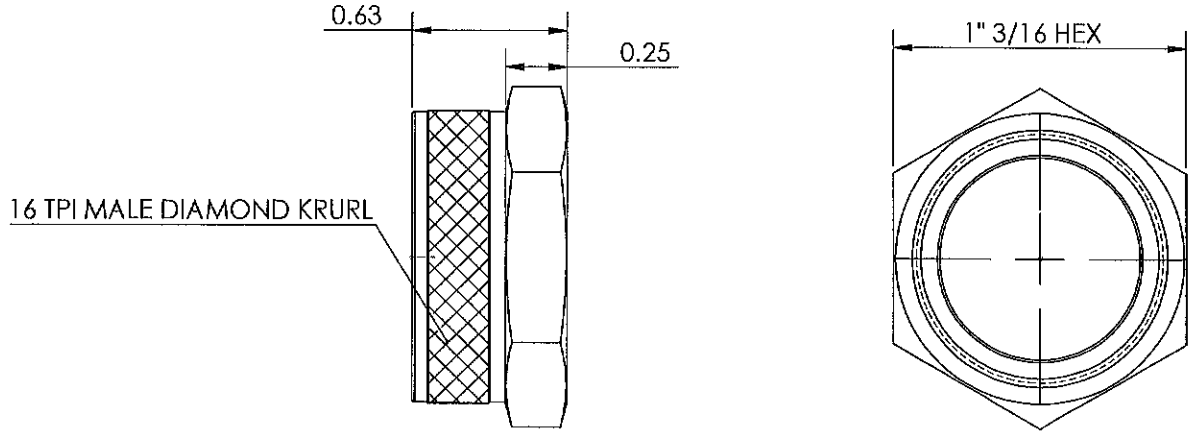
DRAWN	DATE
H. BARRERA	12/12/17
APPROVED	DATE
ECO NO.	

TITLE: 3/4 GARDEN HOSE  
STEM (3 BARB)

DO NOT SCALE THIS DRAWING

SIZE	DWG. NO.	REV
A	5861212S	A

LINE DRAWING NOT FOR PRODUCTION PURPOSES



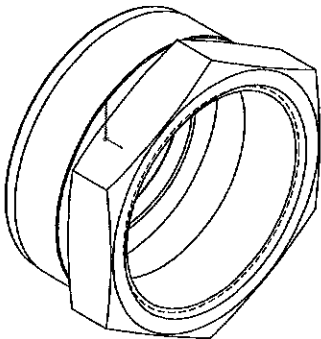
16 TPI MALE DIAMOND KRURL


1" 3/16 HEX

0.25

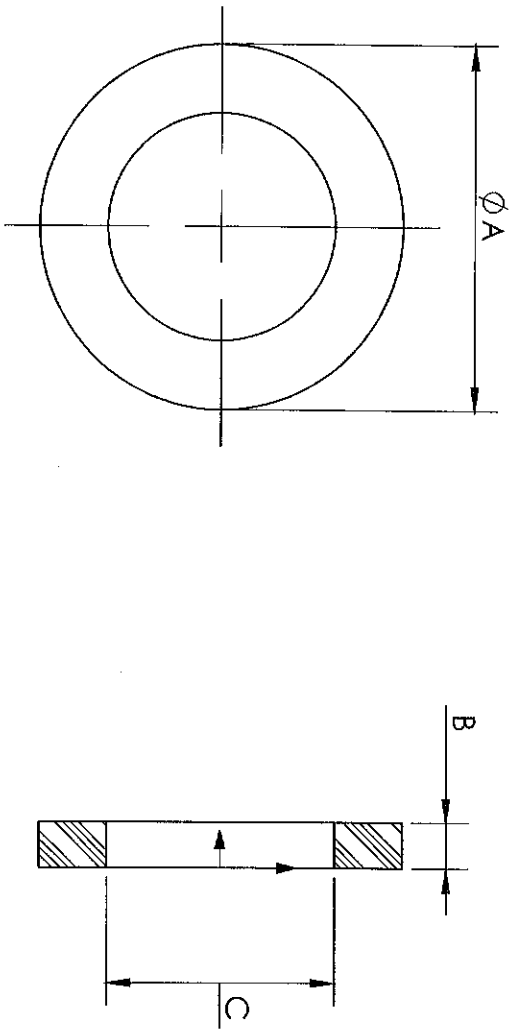
0.63

3/4 - 11-1/2 NH  
THREAD



<small>THIS DRAWING CONTAINS INFORMATION DEEMED PROPRIETARY TO DIXON BRASS AND IS TO BE USED ONLY FOR THE PURPOSE FOR WHICH IT IS SUBMITTED, AND FURTHER, SHALL NOT BE COPIED IN WHOLE OR IN PART WITHOUT EXPRESS WRITTEN PERMISSION FIRST OBTAINED FROM DIXON BRASS.</small>			
<small>UNLESS OTHERWISE SPECIFIED:</small>			
<small>DIMENSIONS ARE IN INCHES</small>			
<small>TOLERANCES:                  ANGLES: ±0°30'                  .X (±.015)                  .XX (±.010)                  .XXX (±.005)                  DIMENSIONS PER ANSI Y14.6</small>			
		<b>Dixon Brass</b> Westmont, Illinois USA	
<small>THE FLIGHT CONNECTION™</small>		<small>DRAWN</small> P. MONAGHAN	<small>DATE</small> 1/11/16
<small>TITLE:</small> GARDEN HOSE NUT		<small>APPROVED</small>	<small>DATE</small>
		<small>ECO NO.</small>	
		<small>DRAWING NOT REPRODUCED TO SCALE</small>	
<small>SIZE</small> <b>A</b>	<small>DWG. NO.</small> 5911212N	<small>REV</small> J	

REV	COMMENTS	DATE
B	REDRAWN	5/31/19



MATERIAL	PART NUMBER	A	B	C
BLACK SBR 80 DURO	5911212W	1.000 $\pm$ .010	.125 $\pm$ .005	.625 $\pm$ .010
	5911616W	1.270 $\pm$ .020	.125 $\pm$ .005	.860 $\pm$ .010

MATERIAL	PART NUMBER	A	B	C
BLACK PEROXIDE CURE EPDM NSF61,70 DURO WITH WHITE STRIPE	5911212WEPDM	1.000 $\pm$ .010	.125 $\pm$ .005	.625 $\pm$ .010
	5911616WEPDM	1.270 $\pm$ .020	.125 $\pm$ .005	.860 $\pm$ .010

THIS DRAWING CONTAINS INFORMATION DEEMED PROPRIETARY TO DIXON BRASS AND IS SO TO BE USED ONLY FOR THE PURPOSE FOR WHICH IT IS SUBMITTED, AND FURTHER, SHALL NOT BE COPIED IN WHOLE OR IN PART WITHOUT EXPRESS WRITTEN PERMISSION FIRST OBTAINED FROM DIXON BRASS. UNLESS OTHERWISE SPECIFIED:

DIMENSIONS ARE IN INCHES  
 TOLERANCES:  
 ANGLES .30'  
 .XX (.010)  
 .XXX (.005)  
 DIMENSIONS PER ANSI Y14.5



**Dixon Brass**  
 Westmont, Illinois USA

DRAWN P. MONAGHAN DATE 5/31/19  
 APPROVED DATE  
 ECO NO.

TITLE: GARDEN HOSE WASHER  
 SIZE A  
 DWG. NO. 591 SERIES  
 DRAWING NOT REPRODUCED TO SCALE  
 REV B