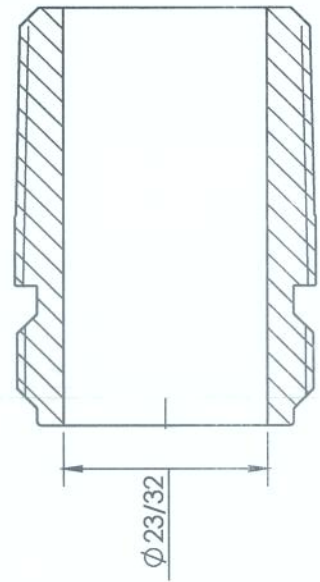
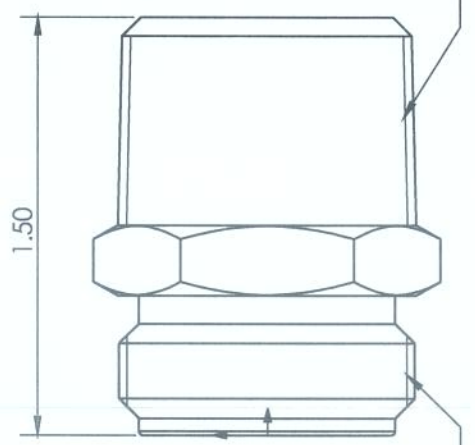
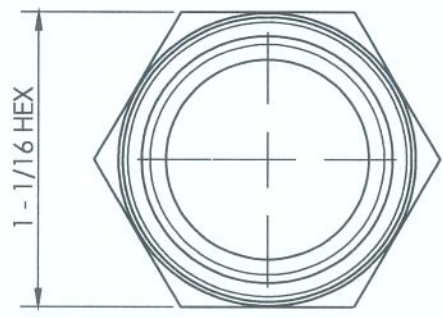


LINE DRAWING NOT FOR PRODUCTION PURPOSES



3/4 - 11 - 1/2 N.H.

MATERIAL 1 - 1/16 HEX ALLOY 360 BRASS

This drawing is owned by Dixon Valves Coupling Co. and shall be returned upon demand. It is loaned on condition that it shall not be copied or reproduced or submitted to others without the owners consent. In accepting it, subject to this condition, the recipient further agrees that this drawing or any design detail or concept disclosed herein shall not be used in any way for manufacturing or in competition with the owner. If the owner is notified in writing of any use of this drawing or any design detail or concept for which the owner has not given its approval, the information contained in this drawing is subject to change without notice.

 Dixon Westmont, Illinois USA	DRAWN	DATE
	HENRY B.	9/26/17
	APPROVED	DATE
	ECO NO.	

DO NOT SCALE THIS DRAWING		
TITLE: ADAPTER 3/4 X 3/4 NPTF GARDEN HOSE	SIZE	REV
A	5081212C	A