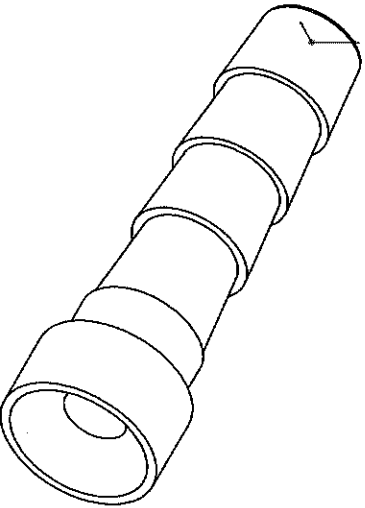
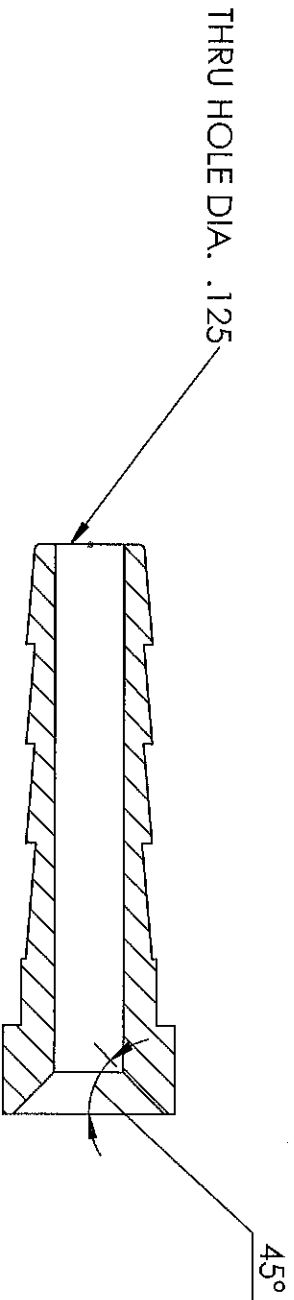
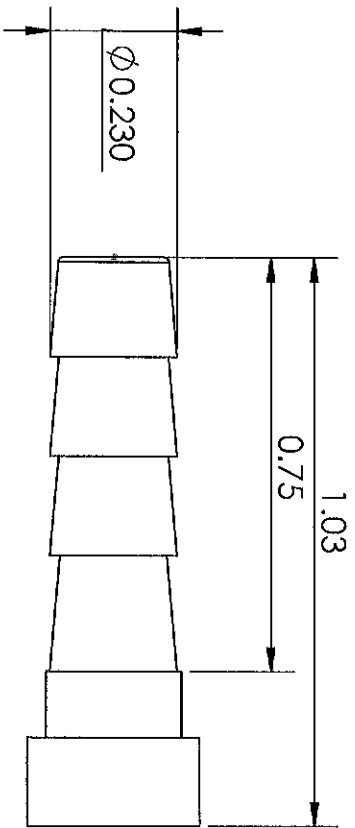


LINE DRAWING NOT FOR PRODUCTION PURPOSES



THIS DRAWING CONTAINS INFORMATION DEEMED PROPRIETARY TO DIXON BRASS AND IS SO TO BE USED ONLY FOR THE PURPOSE FOR WHICH IT IS SUBMITTED, AND FURTHER, SHALL NOT BE COPIED IN WHOLE OR IN PART WITHOUT EXPRESS WRITTEN PERMISSION FIRST OBTAINED FROM DIXON BRASS.

UNLESS OTHERWISE SPECIFIED:

DIMENSIONS ARE IN INCHES

TOLERANCES:

ANGLES: $\pm 30^\circ$

X (± 0.15)

.XX (± 0.10)

.XXX (± 0.05)

DIMENSIONS PER ANSI Y14.5



Dixon Brass
Westmont, Illinois USA

DRAWN
P. MONAGHAN
APPROVED
DATE
3/17/14

DRAWING NOT REPRODUCED TO SCALE

SIZE

DWG. NO.

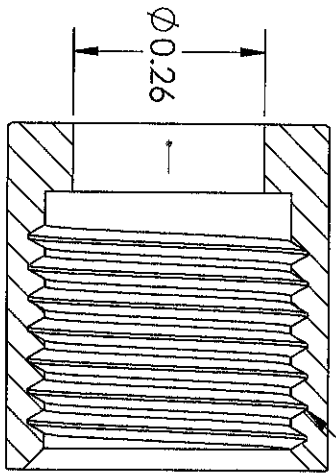
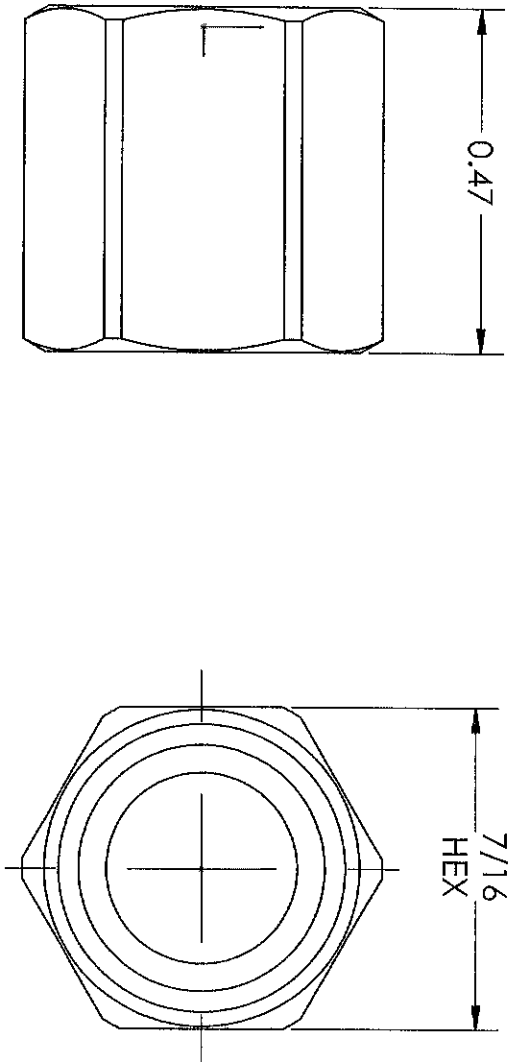
1440306S

REV

E

TITLE: FEMALE SWIVEL STEM
45 DEGREES

LINE DRAWING NOT FOR PRODUCTION PURPOSES



MATERIAL: 360 BRASS ALLOY



Dixon Brass
Westmont, Illinois USA

DRAWN	DATE
P. MONAGHAN	5/5/21
APPROVED	DATE
ECO NO.	

TITLE: WELDING NUT (OXYGEN)

DO NOT SCALE THIS DRAWING	
SIZE	DWG. NO.
A	1520306N
REV	E

This drawing is owned by Dixon Valve & Coupling Co. and shall be returned upon demand. It is loaned on condition that it shall not be copied or reproduced or submitted to others without the owner's consent. In concept disclosed to his competition, the recipient further agrees that this drawing or any design detail or information contained in this drawing is subject to change without notice.