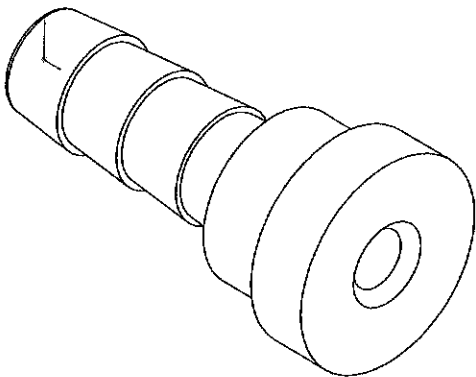
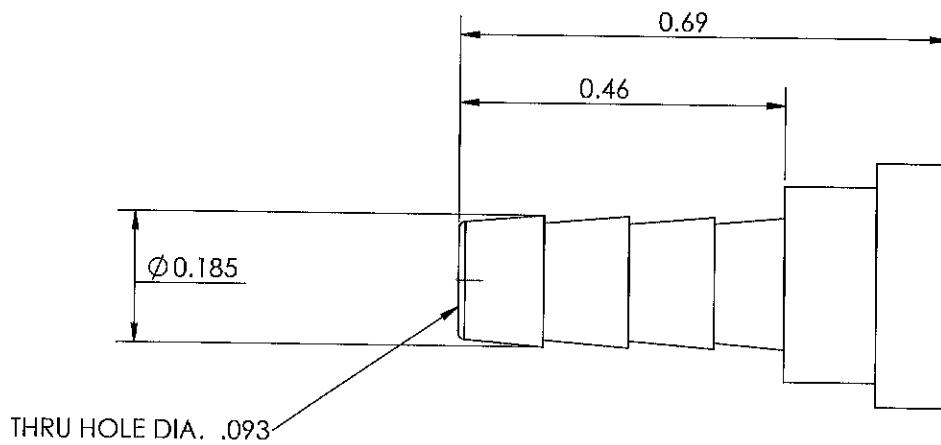

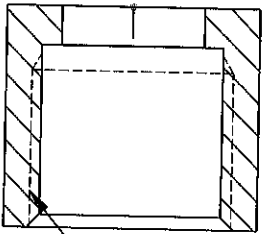
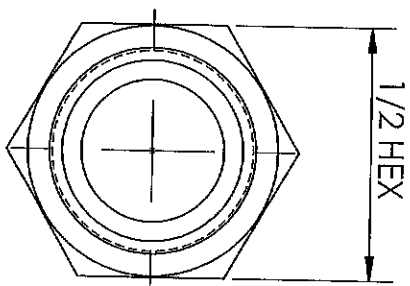
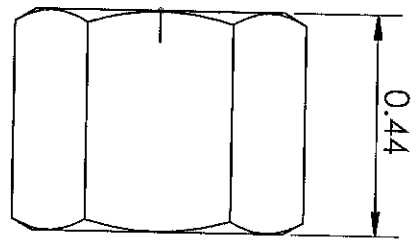


LINE DRAWING NOT FOR PRODUCTION PURPOSES

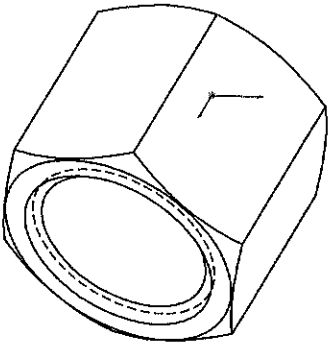


THIS DRAWING CONTAINS INFORMATION DEEMED PROPRIETARY TO DIXON BRASS AND IS SO TO BE USED ONLY FOR THE PURPOSE FOR WHICH IT IS SUBMITTED, AND FURTHER, SHALL NOT BE COPIED IN WHOLE OR IN PART WITHOUT EXPRESS WRITTEN PERMISSION FIRST OBTAINED FROM DIXON BRASS.				
UNLESS OTHERWISE SPECIFIED:				
DIMENSIONS ARE IN INCHES		 <b>Dixon Brass</b> Westmont, Illinois USA	DRAWN F. MONAGHAN APPROVED	DATE 2/28/14 DATE
TOLERANCES: ANGLES: ±0°30' .X (.015) .XX (.010) .XXX (.005)			ECO NO.	
DIMENSIONS PER ANSI Y14.6		DRAWING NOT REPRODUCED TO SCALE		
TITLE: 1/8 SWIVEL STEM GASKET SEAT TYPE		SIZE <b>A</b>	DWG. NO. 1260202S	REV <b>C</b>

LINE DRAWING NOT FOR PRODUCTION PURPOSES



1/8 - 27 NPSM  
THREAD



THIS DRAWING CONTAINS INFORMATION DEEMED PROPRIETARY TO DIXON BRASS AND IS SO TO BE USED ONLY FOR THE PURPOSE FOR WHICH IT IS SUBMITTED, AND FURTHER, SHALL NOT BE COPIED IN WHOLE OR IN PART WITHOUT EXPRESS WRITTEN PERMISSION FIRST OBTAINED FROM DIXON BRASS, UNLESS OTHERWISE SPECIFIED:

DIMENSIONS ARE IN INCHES

TOLERANCES:

ANGLES: ±0°30'

X (±.015)

.XX (±.010)

.XXX (±.005)

DIMENSIONS PER ANSI Y14.5



**Dixon Brass**  
Westmont, Illinois USA

TITLE:

FEMALE SWIVEL NUT  
1/8 - 27 NPSM

ECO NO.

DATE

DRAWN

DATE

P. MONAGHAN

2/27/14

APPROVED

DATE

DRAWING NOT REPRODUCED TO SCALE

SIZE

A

DWG. NO.

1240202N

REV

C