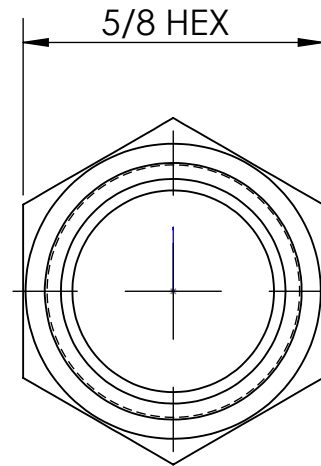
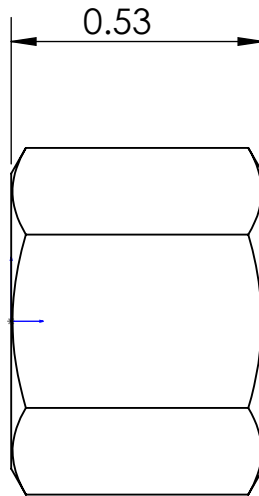
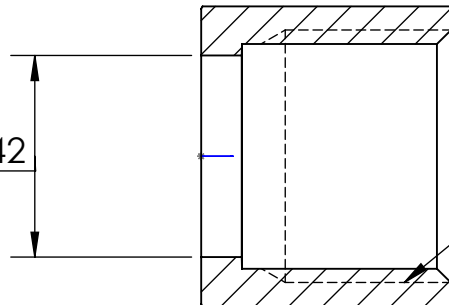


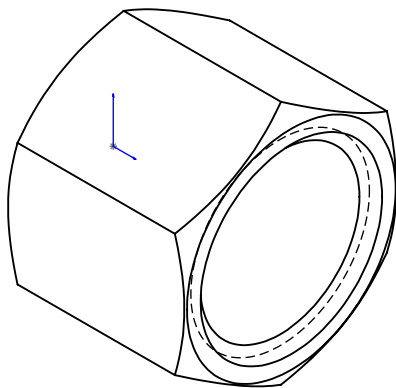
LINE DRAWING NOT FOR PRODUCTION PURPOSES



(THRU HOLE DIA.) $\phi 0.42$



1/4 - 18 NPSM
THREAD



| | | | |
|---|--|--|---|
| THIS DRAWING CONTAINS INFORMATION DEEMED PROPRIETARY TO DIXON BRASS AND IS SO TO BE USED ONLY FOR THE PURPOSE FOR WHICH IT IS SUBMITTED, AND FURTHER, SHALL NOT BE COPIED IN WHOLE OR IN PART WITHOUT EXPRESS WRITTEN PERMISSION FIRST OBTAINED FROM DIXON BRASS. | | | |
| UNLESS OTHERWISE SPECIFIED: | |  The Right Connection™ | DRAWN P. MONAGHAN DATE 2/27/14 |
| DIMENSIONS ARE IN INCHES TOLERANCES: ANGLES: $\pm 0^{\circ}30'$.X ($\pm .015$) .XX ($\pm .010$) .XXX ($\pm .005$) DIMENSIONS PER ANSI Y14.5 | | | Dixon Brass Westmont, Illinois USA |
| | | | ECO NO. |
| | | DRAWING NOT REPRODUCED TO SCALE | |
| | | TITLE: FEMALE SWIVEL NUT 1/4 - 18 NPSM | DWG. NO. 1240604N |
| | | SIZE A | REV B |