



The Right Connection®

BOSS LPS

Low Pressure Systems

Products designed specifically for the oil and gas industry

Low Profile Hammer Union Caps

Application:

- Prevents leakage of hydraulic fracturing fluids and dry materials from hammer union connections used on manifolds and hose assemblies; equipment can be in pressurized service or in transit to an alternate location

Sizes:

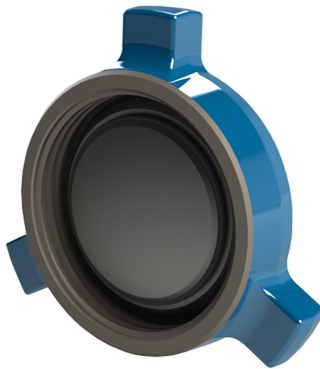
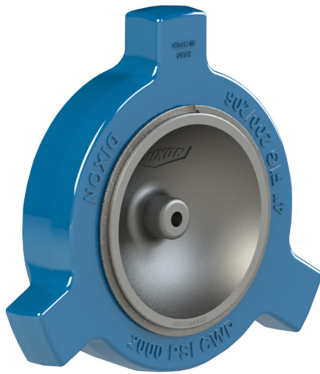
- 2", 4", 5"
- Contact Dixon® for other sizes

Materials:

- Forged steel nut meeting AISI standards
- Iron bull plug to ASTM standards
- Chain is welded Grade 30 steel
- Bolt is Grade 8 carbon steel
- O-ring is Buna-N

Features:

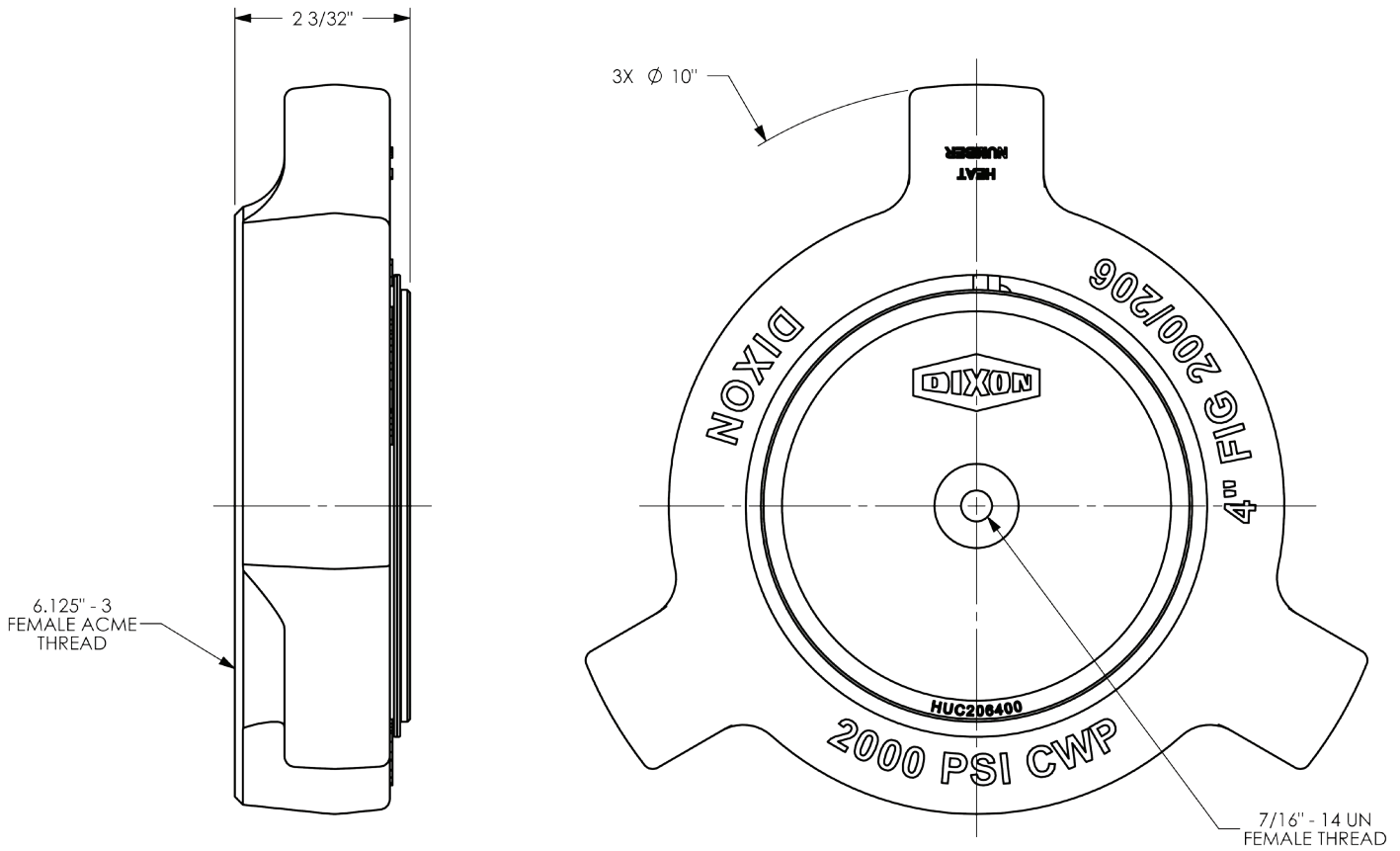
- Low profile design for tight applications
- Designed with reusable bull plug to rebuild cap
- Includes a threaded bolt hole for attaching chain or cable
- Chain is zinc plated for longer life



2" and 4" cap

Size	Part #	Description
2"	HUC206200	bull plug style cap assembly, figure 206
	HU206200N	figure 206 nut
	HUC206200-1	bull plug body with O228BU O-ring
	WS-287	retaining ring (CS SAE 1070-1090)
4"	HUC206400	bull plug style cap assembly, figure 206
	HU206400N	figure 206 nut
	HUC206400-1	bull plug body with O347BU O-ring
	WS-512	retaining ring (CS SAE 1070-1090)
5"	HUSC500RN	bull plug style cap assembly, suction
	HUS500RN	suction nut (two piece)
	HUSC500-1	bull plug body with O432BU O-ring
	WS-600	retaining ring
All sizes	HUCH20CS	chain is 5/16" links by 20" overall length
	HUBT716X100	bolt is 7/16"-14 threads by 1" long

Dimensional Specifications for 4" Cap



- Dimensional specifications for the 2" and 5" caps can be found at dixonvalve.com



Dixon
ph 877.963.4966
fx 800.283.4966
sales@dixonvalve.com
dixonvalve.com



dixonvalve.com