

C

Dixon® MannTek Dry Disconnect Couplings

Applications

- Used by producers of ink, adhesives, fatty acids, pharmaceuticals, liquid soaps, petroleum, chemicals, agricultural products, and a wide variety of common caustic and specialty acids
- Designed for the quick and spill-free connection and disconnection of hoses and pipelines

Features

- Easy to handle: push and turn - free flow; turn and pull - closed
- Time saving: no need to drain hoses or pipe systems
- Economical: no loss or spillage of liquids at connection or disconnection
- Safety: the valve cannot be opened until the unit is coupled
- Environmentally friendly: accidental spillage eliminated when properly used
- Safe and reliable: due to rugged construction
- Product life: uncomplicated design and high-quality materials ensure long product life
- Selectivity: To avoid product contamination, selective versions of the couplers and adapters are available. Contact Dixon for further information.
- Produced according to NATO standard STANAG 3756 and ATOFINA SGM 2049.TUY.C.
- Seal kits are available
- Interchanges with Avery Hardoll® and Todo-MATIC®



Materials

- Standard seal supplied: FKM
- Optional seals:
 - EPDM
 - NBR - nitrile rubber
 - Kalrez®
 - Chemraz®

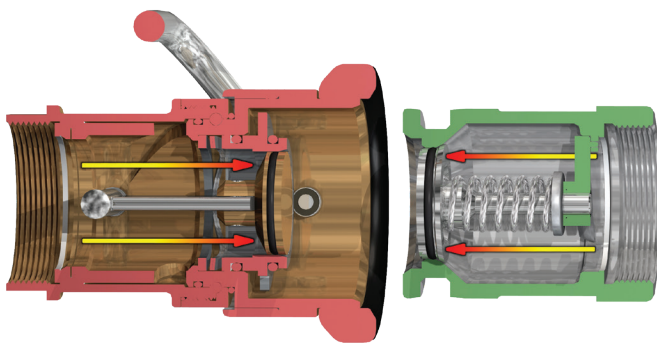
Specifications

- Working pressure at ambient temperature 70°F (21°C):
 - aluminum: **230 PSI**, up to 4"
 - brass/gunmetal¹: **230 PSI**, up to 4"
 - stainless steel: **360 PSI**

¹ Produced to U.S. government bronze specification G

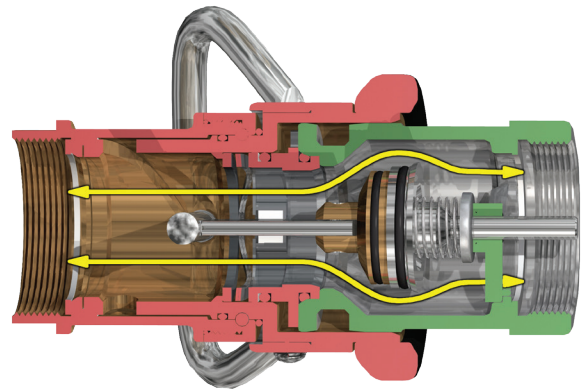
How it Works

The principle of operation is identical for all sizes of couplings.



Closed

- Turn and pull
It's released - no spillage



Open

- Push and turn
It's coupled - full flow